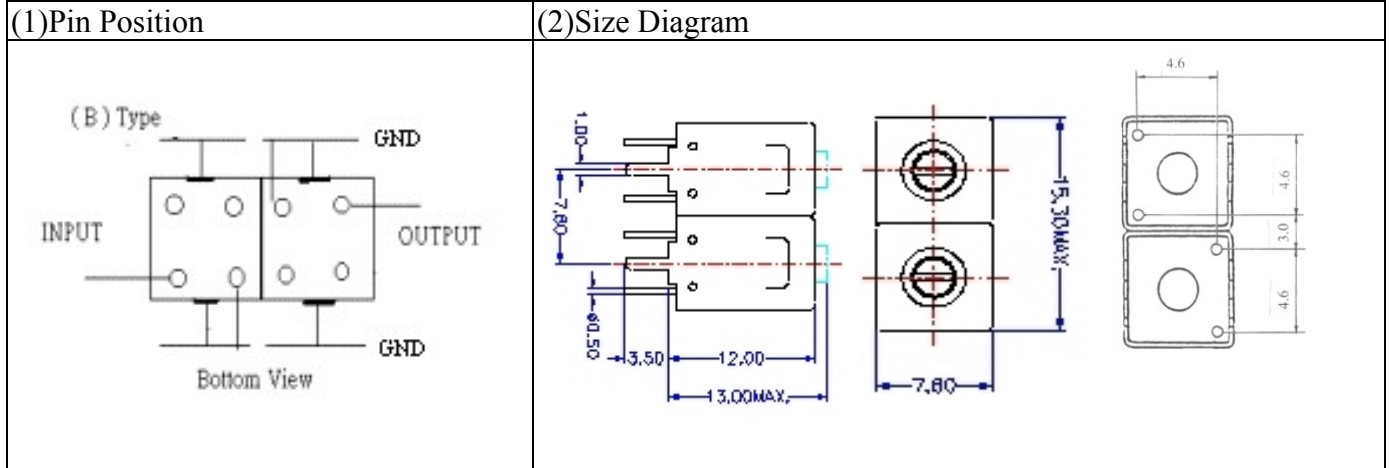
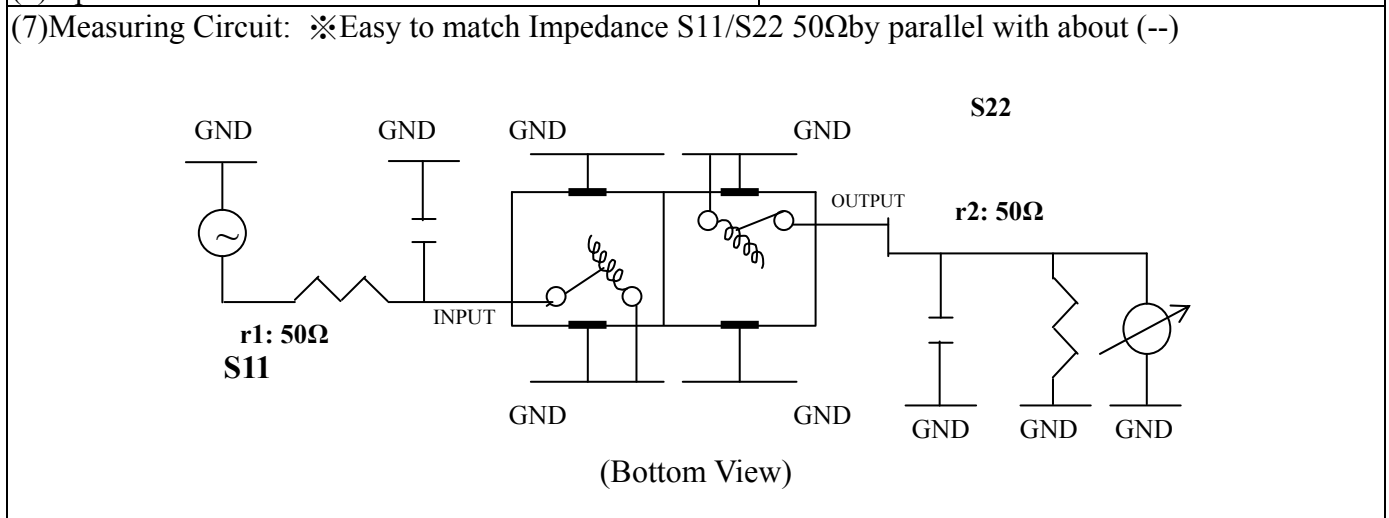


VHF UHF Helical Filter Specification Sheet

Customer Name		Temwell's Part No.	TD62449B-860M
Approval No. /dated	201201052CD	Temwell's Print Name	62449B 860M
Work Instruction No.	201201052CD	Date	Mar.29.2012



(3) Electric Characteristic			
Item		Specify	Performance
Center Freq.(Fo) +/- 0.5 %		860 MHz	860 MHz
Insertion Loss		Typ. 3.0 dB	1.66 dB
-3 dB Bandwidth		Typ. 20 MHz	25.3 MHz
Sensitivity (Attenuation)	Fo - 50 MHz	Typ. 23 dBc	24 dBc
	Fo + 50 MHz	Typ. 20 dBc	22 dBc
	Fo - ()MHz	Typ. dBc	dBc
	Fo + ()MHz	Typ. dBc	dBc
Return Loss		Min. 12 dB	22.3 dB
Ripple		< 1 dB	dB
Impedance		In / Out : 50 Ω	In / Out : 50 Ω
(4) Torque for Tuning Screw		>60gf · cm	
(5) Temperature Condition:			
Operating Temperature		0°C ~ +60°C	
Storage Temperature		-20°C ~ +70°C	
(6) Input Power		> 1Watt	

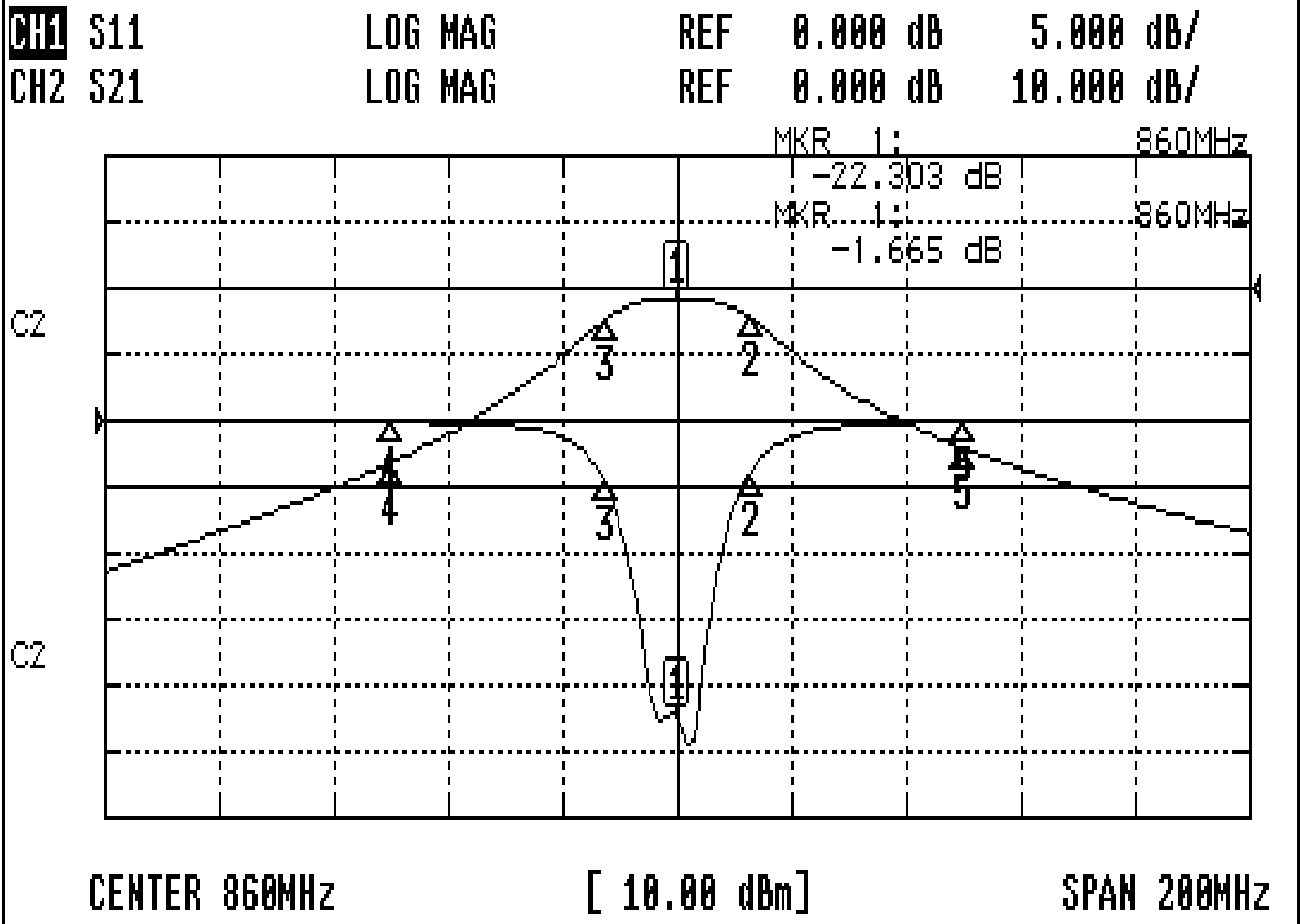


Approval	Supervisor	Designer	Aperture size
C.Y.Chang	C.K.Chang	M.Y.Kang	7H2S(4*4.65)(4.68) 7H046RB4

TEMWELL CORPORATION

Performance-TD62449B-860M

201201052CD



CH1 MARKER LIST

1:	860.000MHz	-22.303 dB
2:	872.833MHz	-3.880 dB
3:	847.500MHz	-4.684 dB
4:	810.000MHz	-0.100 dB
5:	910.000MHz	-0.068 dB

CH2 MARKER LIST

1:	860.000MHz	-1.665 dB
2:	872.833MHz	-4.620 dB
3:	847.500MHz	-4.692 dB
4:	810.000MHz	-26.300 dB
5:	910.000MHz	-24.180 dB