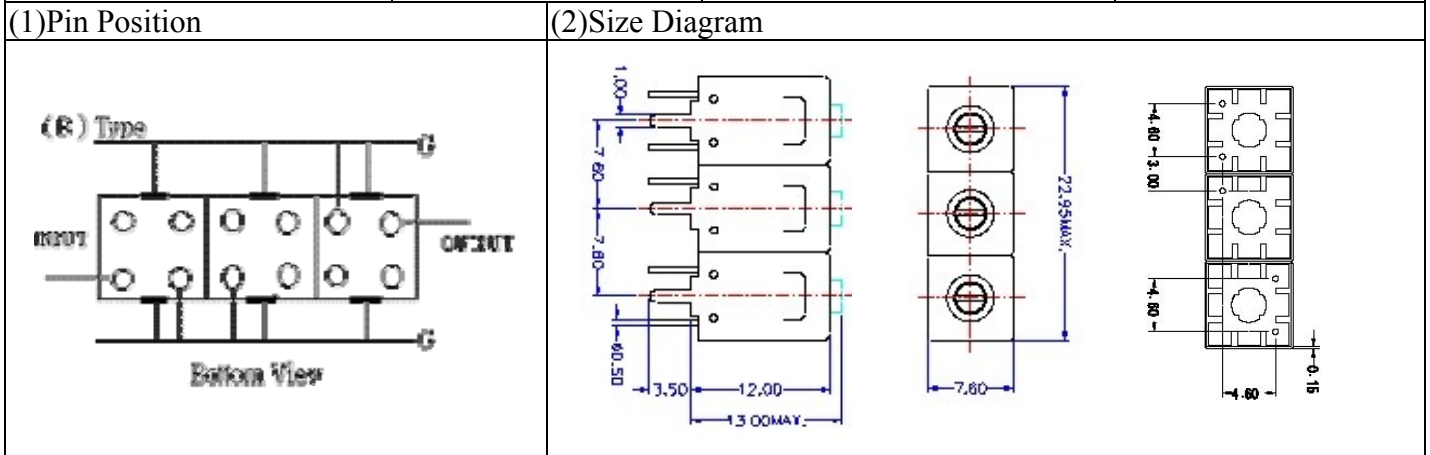


# VHF UHF Helical Filter Specification Sheet

Customer Name		Temwell's Part No.	TD62250B-518M
Approval No. /dated	0812076CD	Temwell's Print name.	62250B 518M
Work Instruction No.	200812076CD	Date	Dec.23.2008



(3) Electric Characteristic

Item	Specify	Performance	
Center Freq.(Fo) +/- 0.5 %	518 MHz	518 MHz	
Tunable Range:	518±3 MHz	518±3 MHz	
Insertion Loss	Typ. 2.0 dB	0.67 dB	
-3 dB Bandwidth	Typ. 60 MHz	64.2 MHz	
Sensitivity (Attenuation)	Fo - (150) MHz	Typ. 18 dBc	21 dBc
	Fo + (150) MHz	Typ. 27 dBc	31 dBc
	Fo - ( ) MHz	Typ. dBc	dBc
	Fo + ( ) MHz	Typ. dBc	dBc
Return Loss	Min. 12 dB	21.9 dB	
Ripple	< 1 dB	dB	
Impedance	In / Out : 50 Ω	In / Out : 50 Ω	
(4) Torque for Tuning Screw	> 100gf · cm		

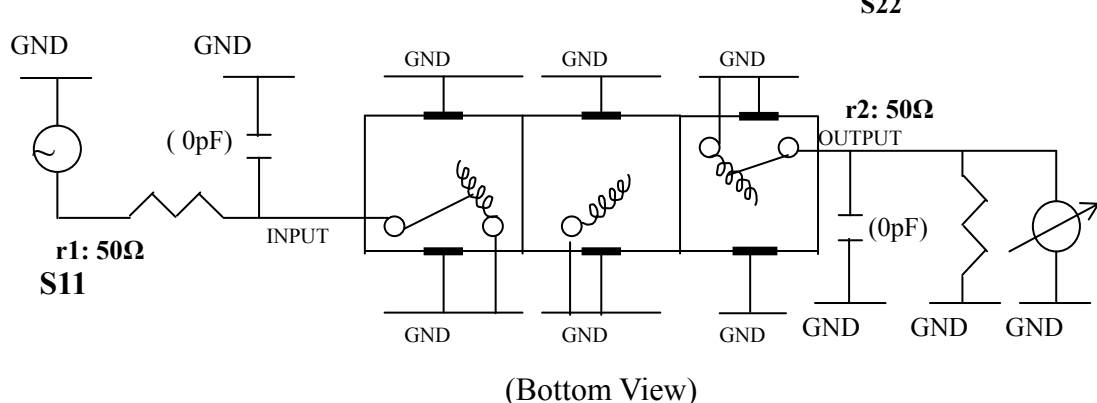
(5) Temperature Condition:

Operating Temperature	0°C ~ +60°C
Storage Temperature	-20°C ~ +70°C

(6) Input Power

	> 1Watt
--	---------

(7) Measuring Circuit: ※Easy to match Impedance S11/S22 50Ω by parallel with about(0pF) / (0pF).

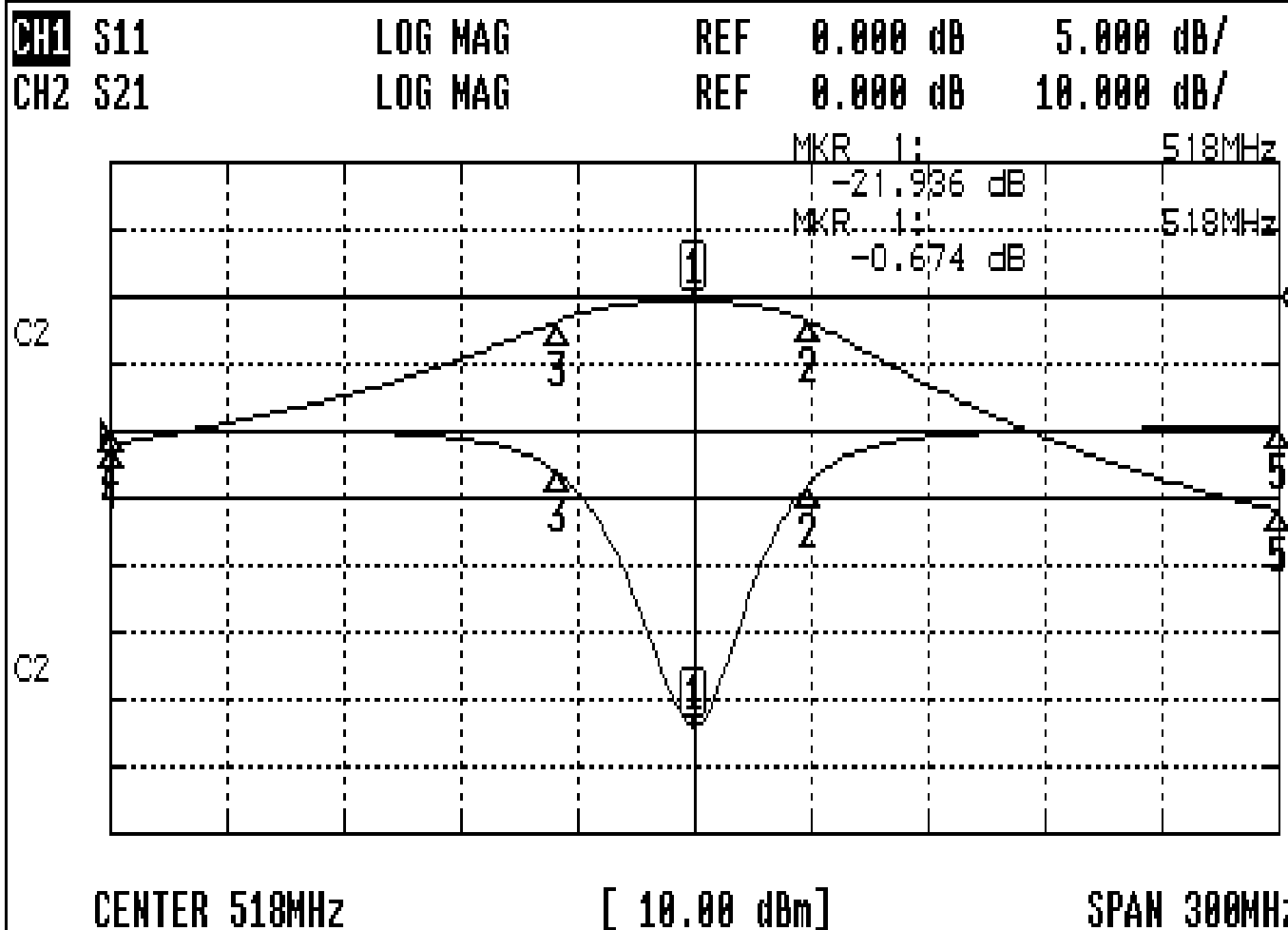


Approval	Supervisor	Designer	Aperture size
C.Y.Chang	C.S.Chang	W.W.Wang	7H3S(4*6.5f)(6.55) (7H046LB5.5)

TEMWELL CORPORATION

# Performance-TD62250B-518M

## 200812076CD



### CH1 MARKER LIST

1:	518.000MHz	-21.936 dB
2:	547.250MHz	-4.029 dB
3:	483.000MHz	-3.157 dB
4:	368.000MHz	0.079 dB
5:	668.000MHz	0.231 dB
6:		
7:		
8:		
9:		
10:		

### CH2 MARKER LIST

1:	518.000MHz	-0.674 dB
2:	547.250MHz	-3.652 dB
3:	483.000MHz	-3.616 dB
4:	368.000MHz	-22.058 dB
5:	668.000MHz	-31.894 dB
6:		
7:		
8:		
9:		
10:		