

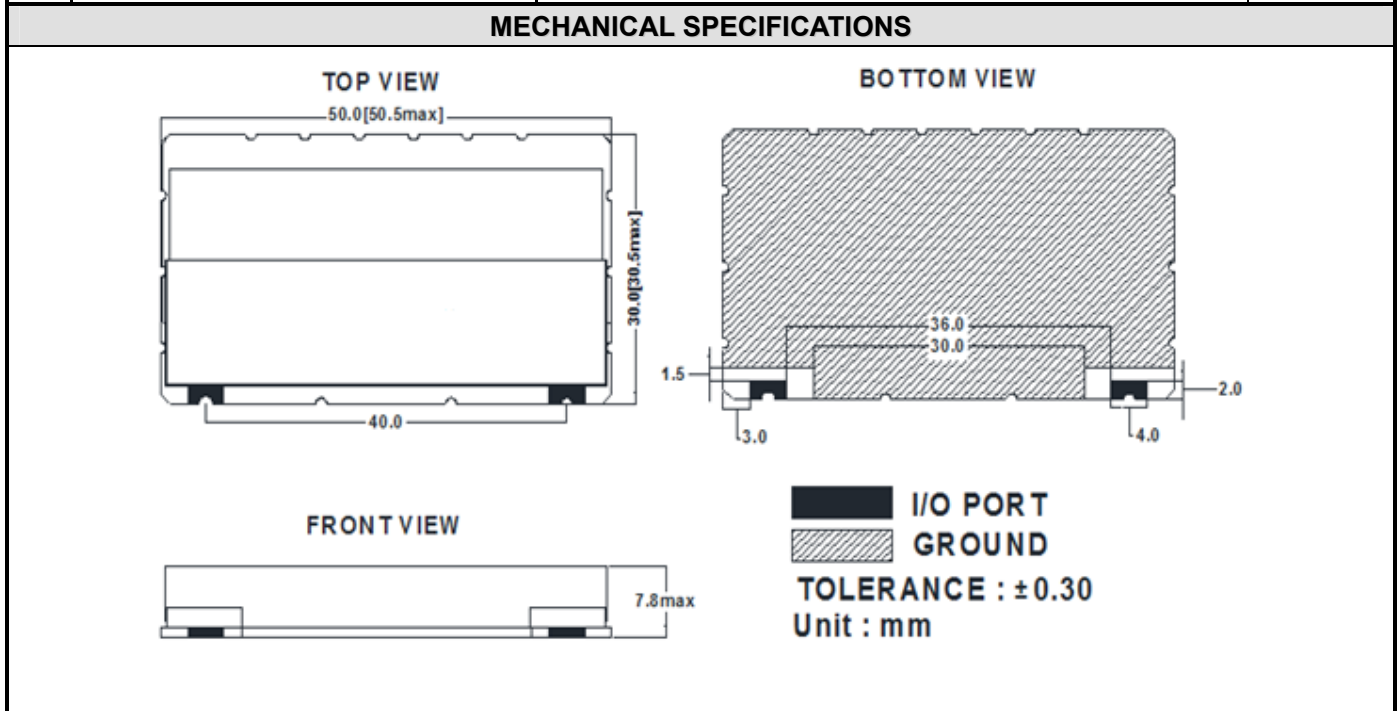
PRELIMINARY SPECIFICATIONS



SMD DR Bandpass Filter
 DR / Ceramic / LC / Waveguide / Microstrip / Helical
 Date: 2022.07.29

Written by	Checked by	Approval
FL Lai	PH Jiang	CK Chang

ELECTRICAL SPECIFICATIONS		
ITEM	SPEC	UNIT
1	Center Frequency [fo]	440.0
2	Bandwidth [-3dB BW]	[435.0 ~ 445.0]
3	Insertion Loss @ BW	3.5 max (in regular temp)
4	Ripple in BW	1.0 max(in regular temp)
5	VSWR in BW	1.5 max(in regular temp)
6	Attenuation	50.0 min. @ [DC~415.0] MHz
		50.0 min. @ [465.0 ~500.0] MHz
7	In/Out Impedance	50.0
8	Operation Temperature Range	-40°C to +80°C

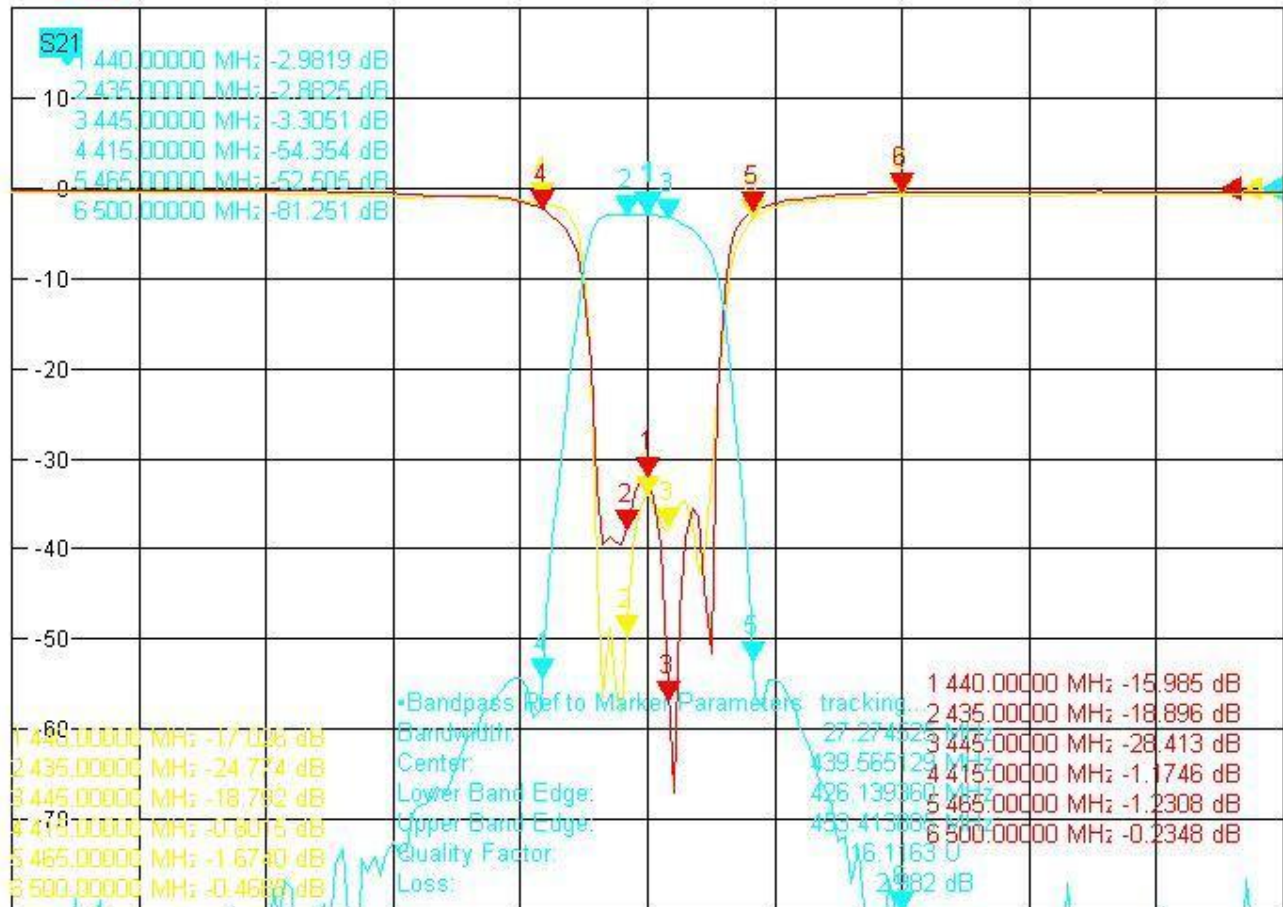


PERFORMANCE



Trc1 **S11** dB Mag 5 dB / Ref 0 dB Cal int Trc2 **S21** dB Mag 10 dB / Ref 0 dB Cal int
 Trc3 **S22** dB Mag 5 dB / Ref 0 dB Cal int

1



Ch1 Base Freq Center 440 MHz

Base Pwr 0 dBm

Span 300 MHz