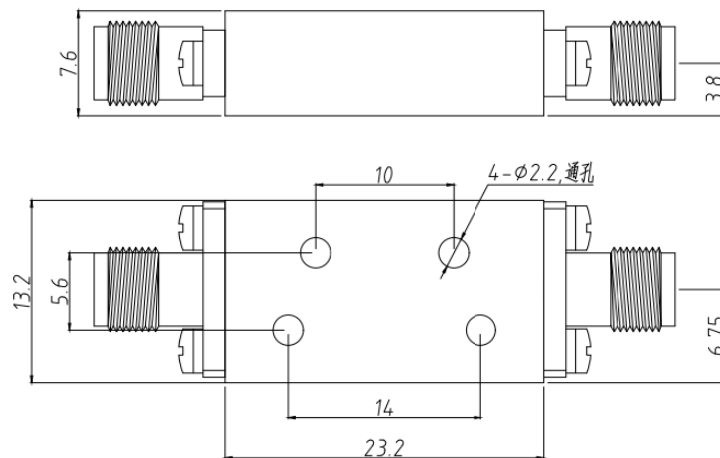


Cavity Band Pass Filter Specifications

Serial	Parameters	
1	Center Frequency(F0)	34GHz
2	Pass Band Frequency	27.5~40.5GHz
3	Pass Band Insertion Loss	≤1.2dB
4	Pass Band Ripple	≤1.0dB@ in 325 MHz span in the range 27500-40500 MHz
5	Pass Band VSWR	≤2.0:1
6	Group delay fluctuation	In 325Mhz span±0.8ns In 1500Mhz span±1ns
7	Rejection	≥20dB @ 2.1-3.8GHz ≥65dB @ 6-17GHz ≥30dB @ 17.7-24.5GHz
8	Impedance	50 ohms
9	Power Handling	≤5W
10	Connectors	2.92-K
11	Temperature Range	-20°C ~ +85°C
12	Surface Finish	Black Paint
13	Net weight	TBD
14	Configuration	As Below (Size Unit: mm)(Tolerance±0.3mm)



Performance

