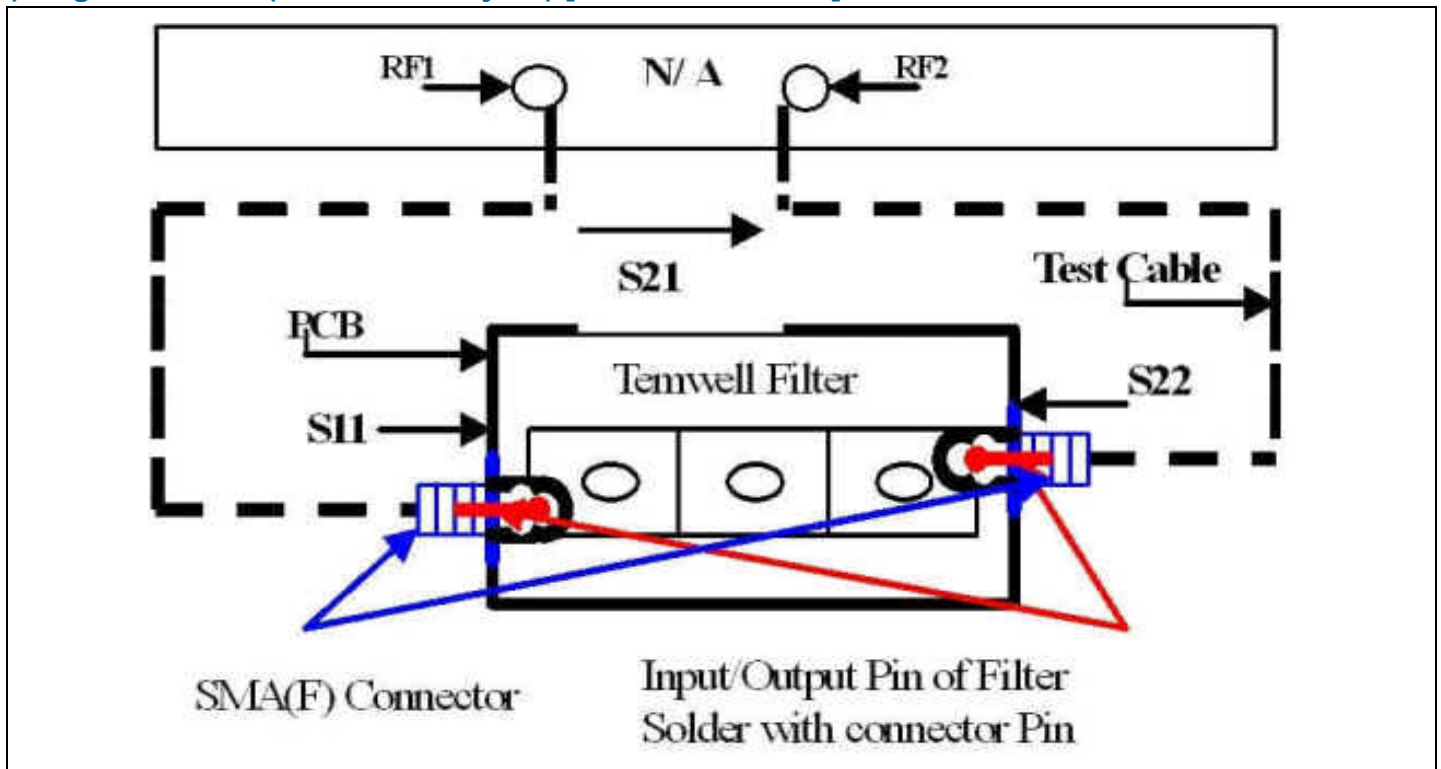


## How to make Calibration

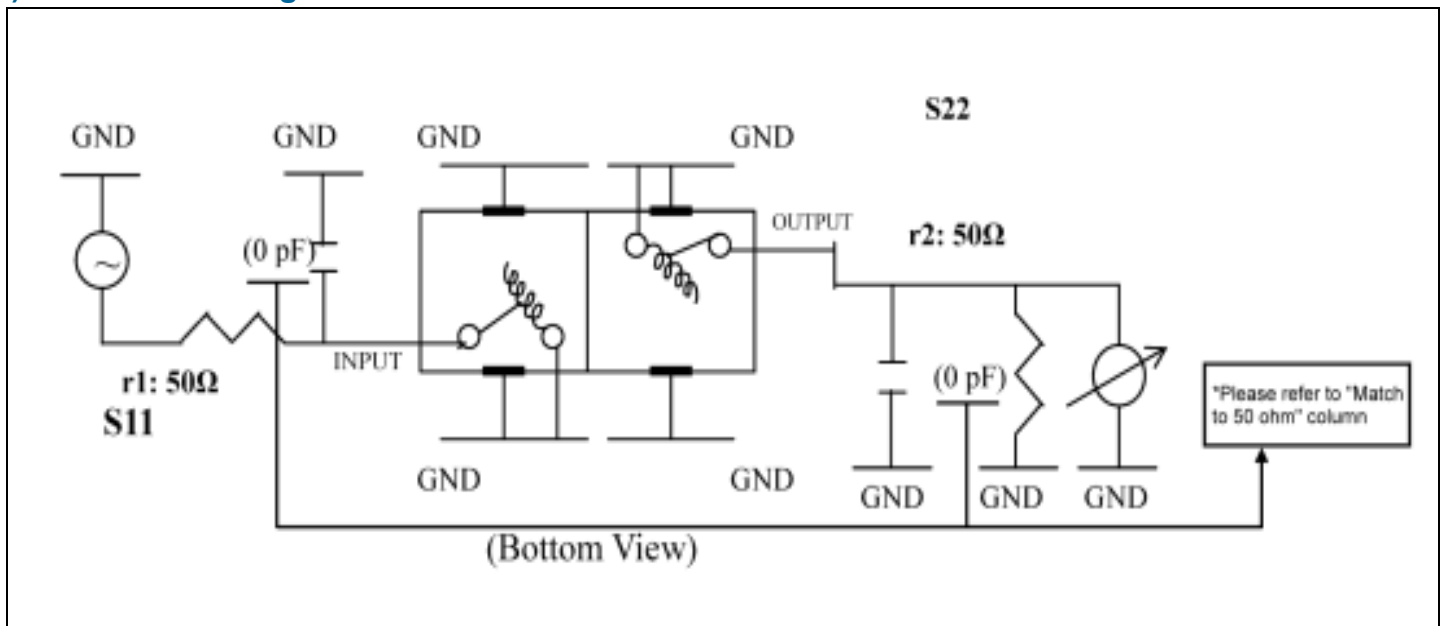
### (1) Diagram for NA (Network Analyzer) [HP- 8712 or 8714]



You should prepare the calibration accessories of

- (a). Open
- (b). Short
- (c). Thru
- (d). Load(50Ω or 75Ω)

### (2) Match to 50Ω diagram



### **Please pay attention :**

If you have a Spectrum Instrument which did not be calibrated to measure a S parameter, you should following the direction to finish your own Calibration kit.